

**Compact but Well-designed
Suitable for a Wide Range of Requirements**



150AC / 200AC / 250AC



100AC / 120AC



20R / 30R



40AC / 60AC / 80AC

■ Applications

- Wastewater Aeration (Johkasou or septic tank)
- Aquaculture
- Fish Market
- Koi Pond
- Medical Equipment

Diaphragm Aerators

TLD

The TLD-series is a diaphragm aerator designed for aerating wastewater or aquarium water. It operates on AC single-phase. The compact but well-built unit offers a high and stable performance, quiet operation, low energy consumption, and excellent durability. Since no oil is used even in the mechanical parts, the aerator requires no lubrication and discharges air without any contamination. A thermal protection device (except for TLD-20R) is built in the electromagnets, which ensures a safety operation.

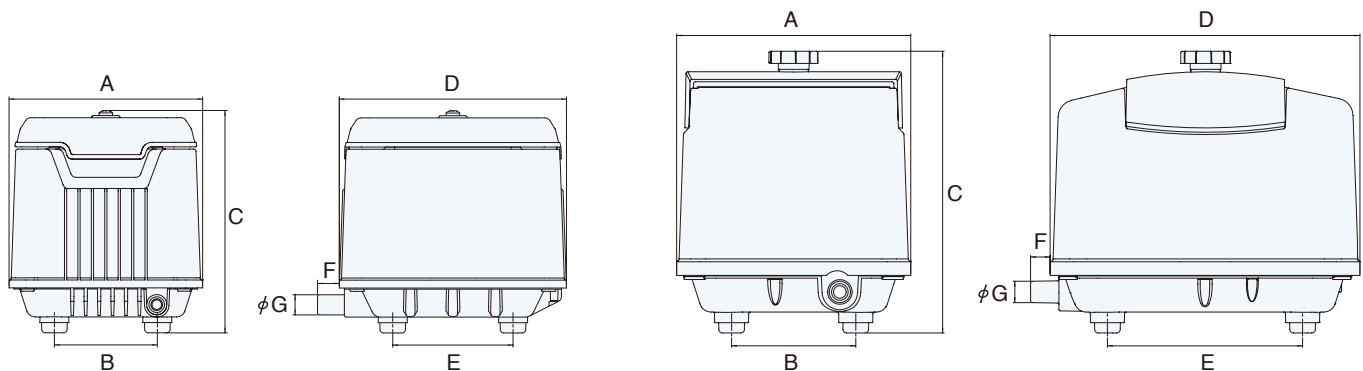
Selection Table 50/60Hz

Model	Discharge Bore mm	Motor Input W		Air Flow Rate L/min		Rated Pressure kPa	Noise Level dB	Dry Weight kg	Cable Length m
TLD-20R	18	18	18	21	21	9.8	40	4.3	1.5
TLD-30R	18	17	17	32	32	11.8	44	4.3	1.5
TLD-40AC	18	38	35	46	45	12.7	36	5.4	1.5
TLD-60AC	18	59	60	70	65	14.7	40	6.3	1.5
TLD-80AC	18	78	81	84	82	14.7	48	6.3	1.5
TLD-100AC	18	98	110	108	105	17.7	42	8.9	2
TLD-120AC	26	130	130	125	123	19.6	44	8.9	2
TLD-150AC	26	160	145	150	150	19.6	50	15.1	2
TLD-200AC	26	175	180	200	200	19.6	51	15.1	2
TLD-250AC	26	252	270	250	250	19.6	52	15.1	2

Dimensions

Unit: mm

Model	A	B	C	D	E	F	G
TLD-20R	175	92	172	245	109	18	18
TLD-30R	175	92	172	245	109	18	18
TLD-40AC	173	92	201	203	108	20	18
TLD-60AC	173	92	201	203	108	20	18
TLD-80AC	173	92	201	203	108	20	18
TLD-100AC	198	105	238	262	165	17	18
TLD-120AC	198	105	238	262	165	17	26
TLD-150AC	222	154	210	341	272	24	26
TLD-200AC	222	154	210	341	272	24	26
TLD-250AC	222	154	210	341	272	24	26



We reserve the right to change the specifications and designs for improvement without prior notice.

TSURUMI
MANUFACTURING CO., LTD.

Your Dealer



SUPERPUMP
water pumps
www.superpump.co.za