

SERIES
THM 50Hz
THMS 60Hz

HORIZONTAL MULTISTAGE
PUMPS



Horizontal Multistage Pumps

1. Applications

THM/THMS horizontal multistage stainless steel pumps are designed for the following applications:

Mainly applicable for conveying of industrial liquid, circulation and pressure for demineralized water, soft water, purified solution, light oil, etc.

- Cooling water systems
- Domestic water supply
- Industrial cleaning
- Agriculture
- Pesticide dosing systems
- Environmental protection
- Water treatment
- Boosting & circulation systems

2. Model Code

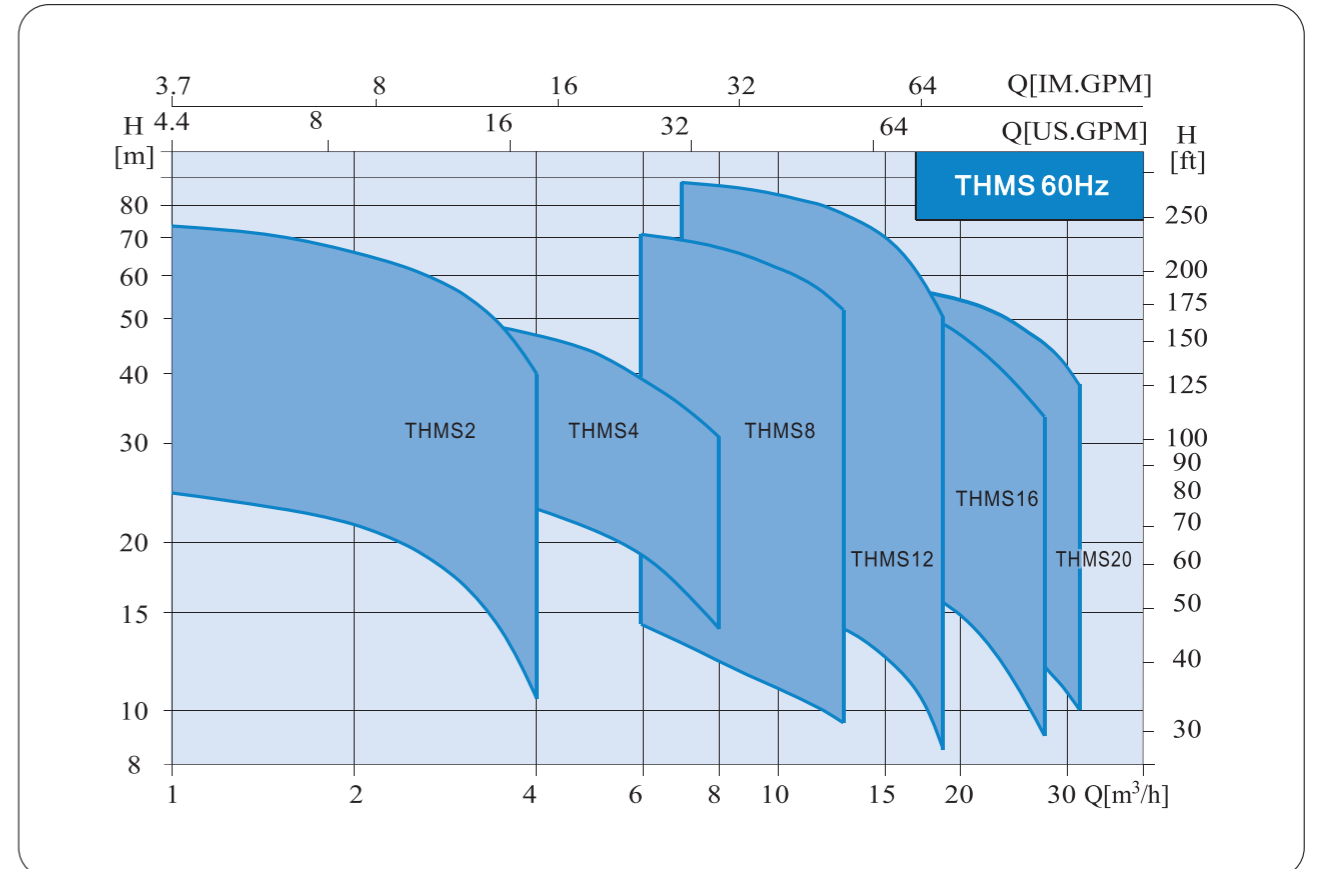
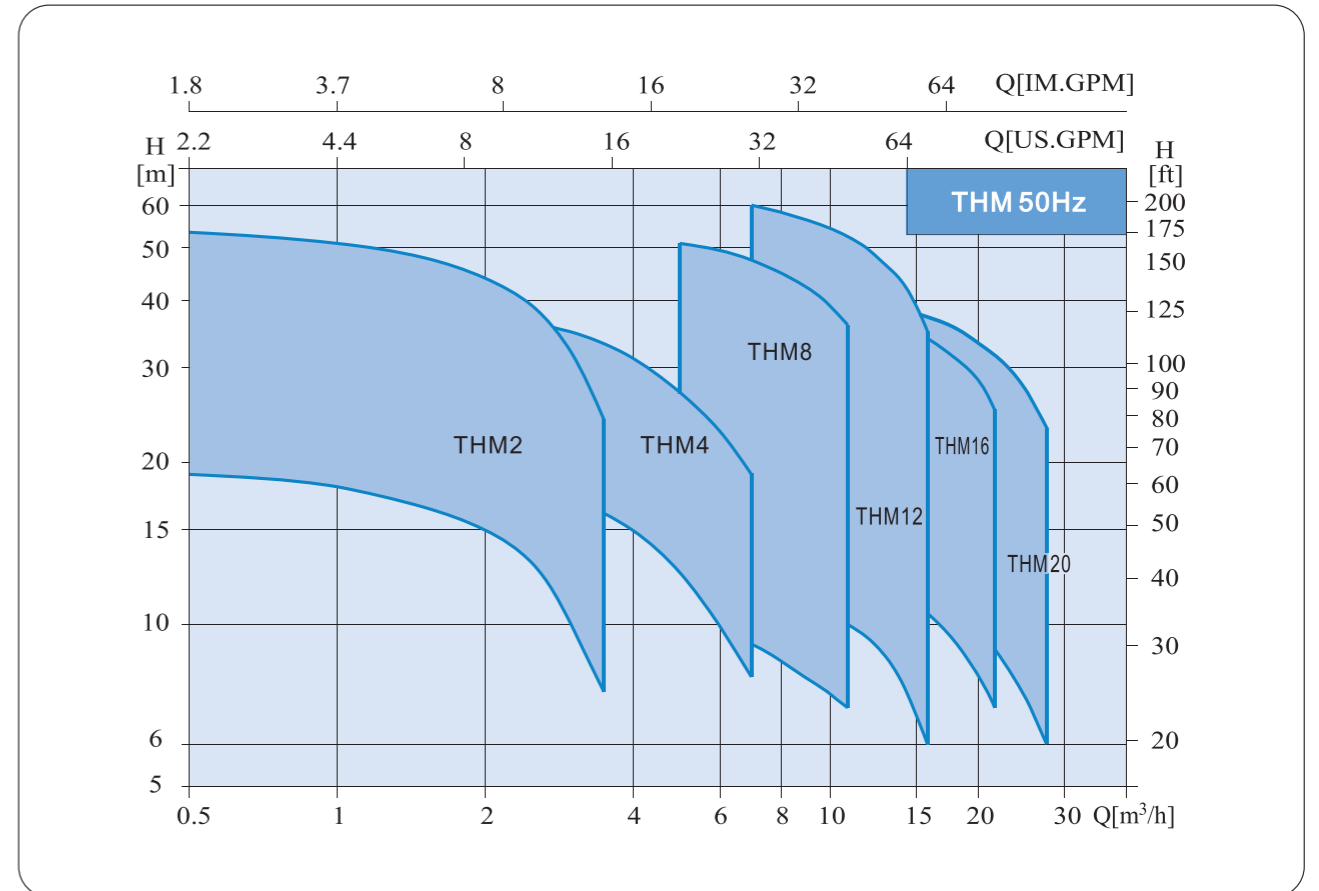
THM S 2 - 60

Name of Series: THM(Horizontal multistage stainless steel pumps) ———
 Frequency: Blank = 50Hz, S = 60Hz ———
 Nominal flow rate in m³/h ———
 Number of stage ×10 ———

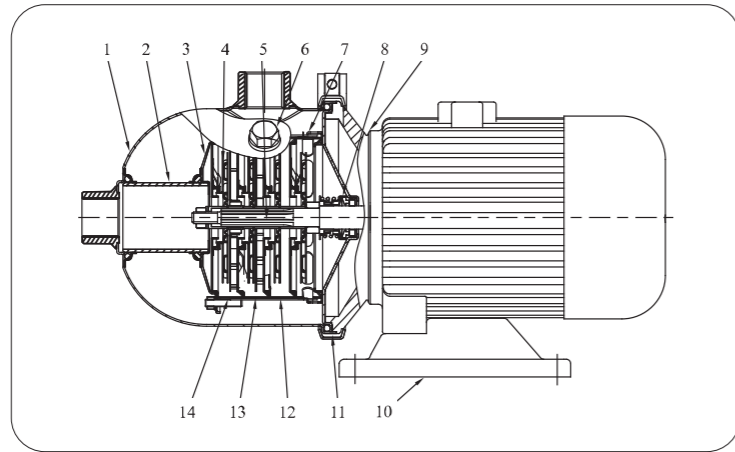
3. Technical Data

- a. Ambient Temperature
Maximum: +40°C
- b. Liquid Temperature
Standard design: -15°C to +70°C
For hot water design: -15°C to +110°C
- c. Max operating pressure is limited by max operating pressure.
Axial inlet and radial outlet
- d. Electric Motor standard be supplied as:
50Hz: Single phase 220V~240V or three phase 380V~415V
aluminum casing, IP55, class F. Single phase motor up to 2.4kW
60Hz: Single phase 220V~240V or three phase 220V~240V and 380V~415V
aluminum casing, IP55, class F. Single phase motor up to 2.2kW
- e. Pump's material can be supplied in 304 or 316 stainless steel.
- f. THM/THMS max operation pressure: 10bar.
- g. Max suction pressure is limited by max operation pressure.

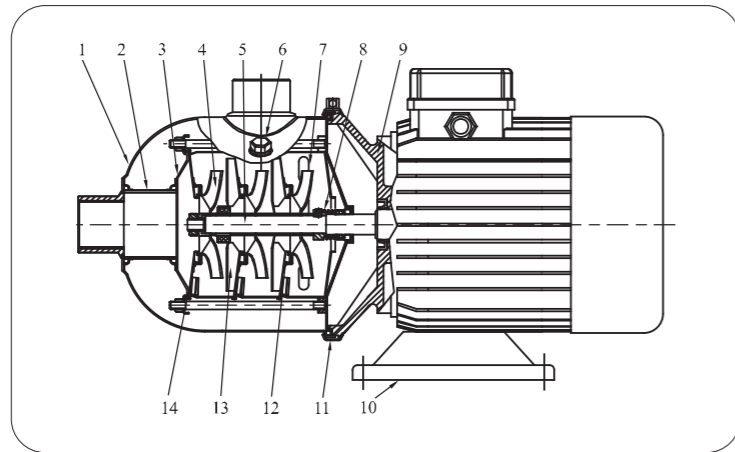
Selection Charts



General Arrangement Drawing



THM(S) 2,4

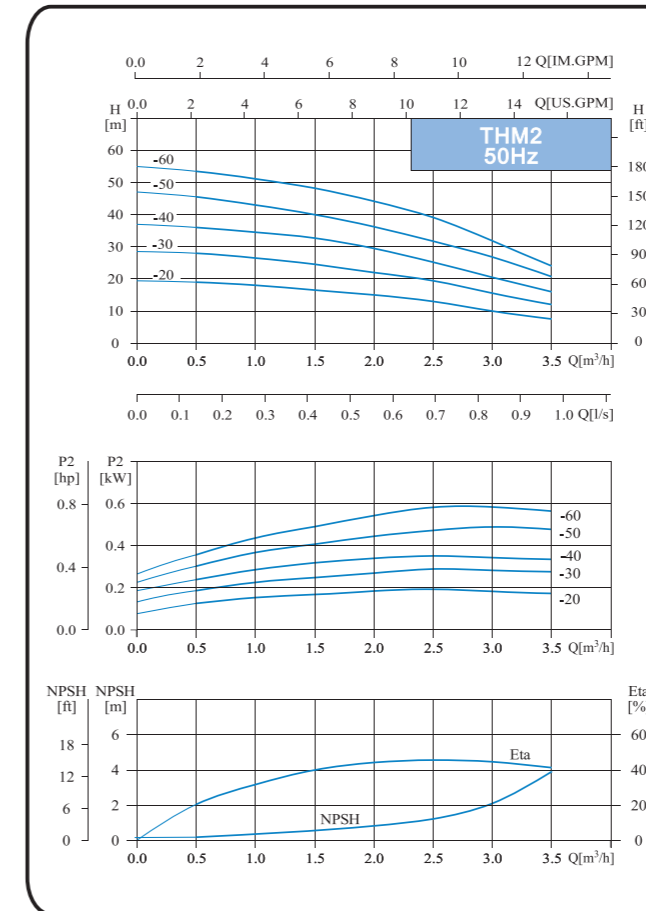


THM(S) 8,12,16,20

Item No.	Name	Material	AISI/ASTM
1	Suction and discharge head	Stainless steel	304
2	Connection pipe	Stainless steel	304
3	Clamp plate	Stainless steel	304
4	Impeller	Stainless steel	304
5	Shaft	Stainless steel	304
6	Vent	Stainless steel	304
7	Discharge diffuser	Stainless steel	304
8	Mechanical seal	Silicon carbide	
9	Motor end cover	Aluminum alloy	
10	Base frame	Cast iron	ASTM25B
11	Quick joint	Stainless steel	304
12	Diffuser	Stainless steel	304
13	Support diffuser	Stainless steel	304
14	Inducer	Stainless steel	304

Technical Data (50Hz)

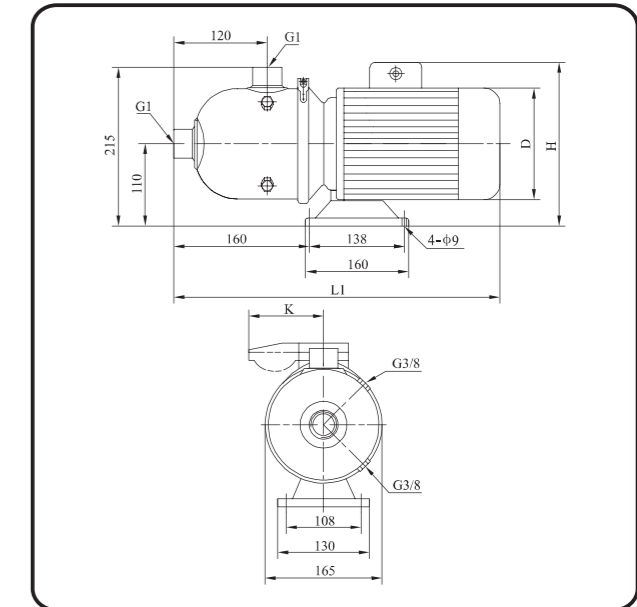
Performance Curve



ISO9906 Annex A



Dimensions



Size and Weight

Model	Size (mm)				Weight (kg)
	L1	H*	D	K*	
THM2-20	400	215/230	145	- / 96	13
THM2-30	400	215/230	145	- / 96	13
THM2-40	400	215/230	145	- / 96	13
THM2-50	400	215/230	145	- / 96	13
THM2-60	445	225/245	170	- / 100	15

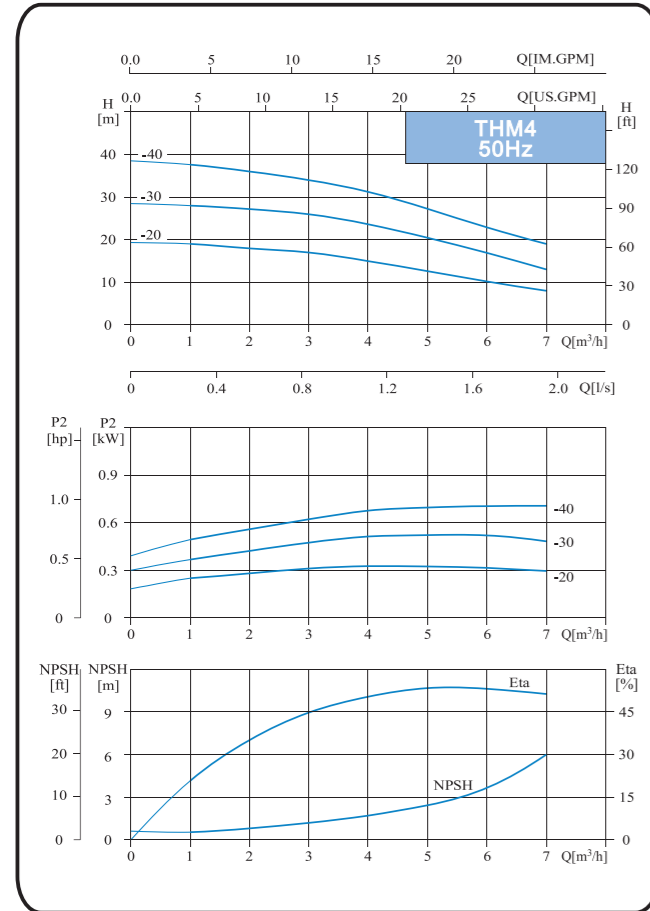
* Three / Single phase

Performance Table

Model	Driving Motor		Q (m³/h)	H (m)						
	(kW)	(hp)		0.5	1	1.5	2	2.5	3	3.5
THM2-20	0.37	0.5	H (m)	19	18	16.5	15	13	10	7.5
THM2-30	0.55	0.75		28	26.5	24.5	22	19	15.5	12
THM2-40	0.55	0.75		36	34.5	33	29	25	20.5	16
THM2-50	0.55	0.75		45.5	43	40	36	31.5	26.5	20.5
THM2-60	0.75	1		53.5	51	48	44	39	32	24

Technical Data (50Hz)

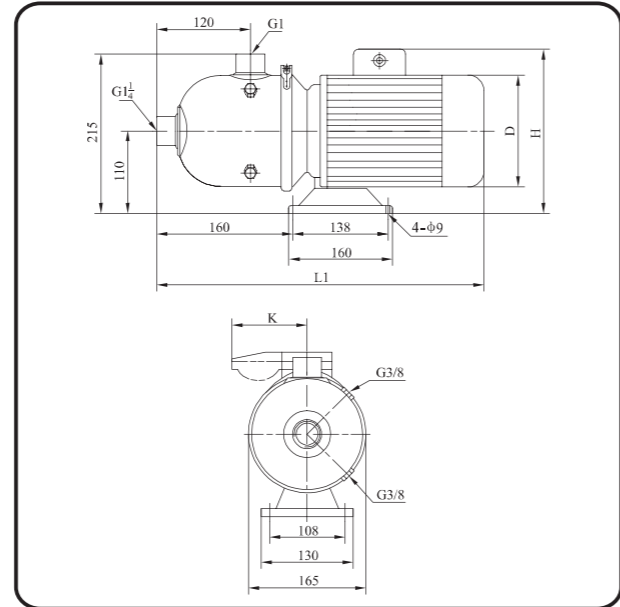
Performance Curve



ISO9906 Annex A

THM 4

Dimensions



Size and Weight

Model	Size (mm)				Weight (kg)
	L1	H*	D	K*	
THM4-20	400	215 / 230	145	- / 96	12
THM4-30	445	225 / 245	170	- / 100	12
THM4-40	445	225 / 245	170	- / 100	15

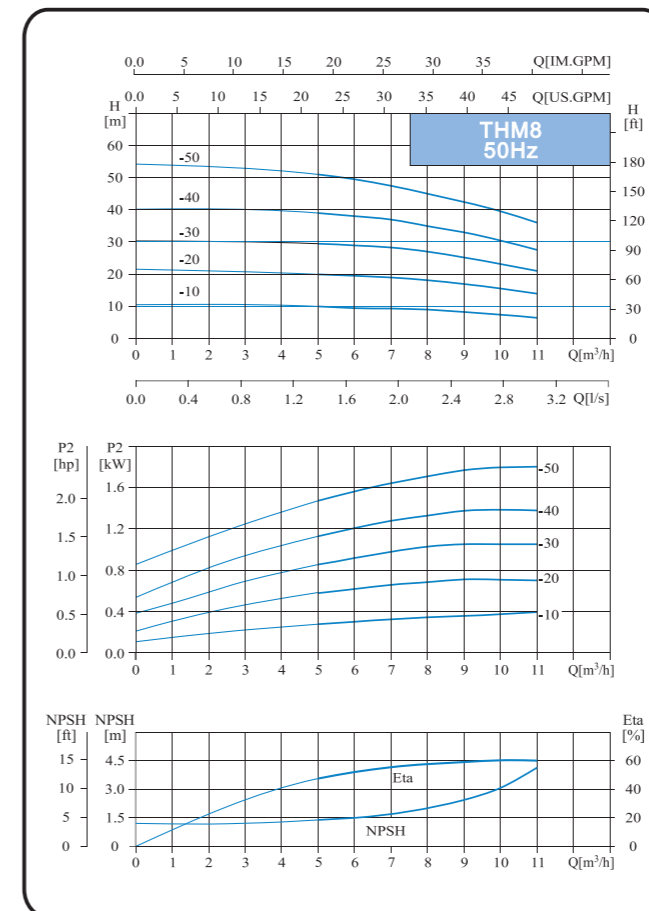
* Three / Single phase

Performance Table

Model	Driving Motor		Q (m³/h)	1	2	3	4	5	6	7
	(kW)	(hp)								
THM4-20	0.55	0.75	H (m)	19	18	17	15	12.5	10	8
THM4-30	0.75	1		28	27	26	23.5	20.5	17	13
THM4-40	0.75	1		37.5	36	34	31	27	23	19

Technical Data (50Hz)

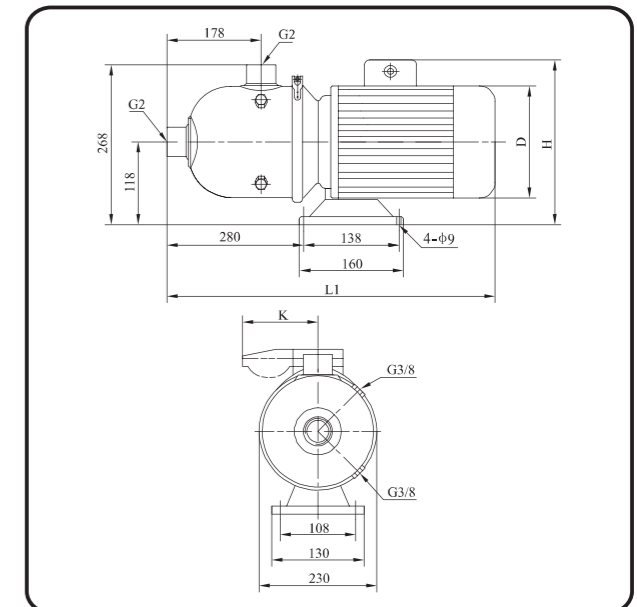
Performance Curve



ISO9906 Annex A

THM 8

Dimensions



Size and Weight

Model	Size(mm)				Weight (kg)
	L1	H*	D	K*	
THM8-10	560	230 / 265	170	- / 100	20
THM8-20	560	230 / 265	170	- / 100	20
THM8-30	560	230 / 265	170	- / 100	25
THM8-40	580	240 / 270	180	- / 100	25
THM8-50	580	240 / 270	180	- / 100	30

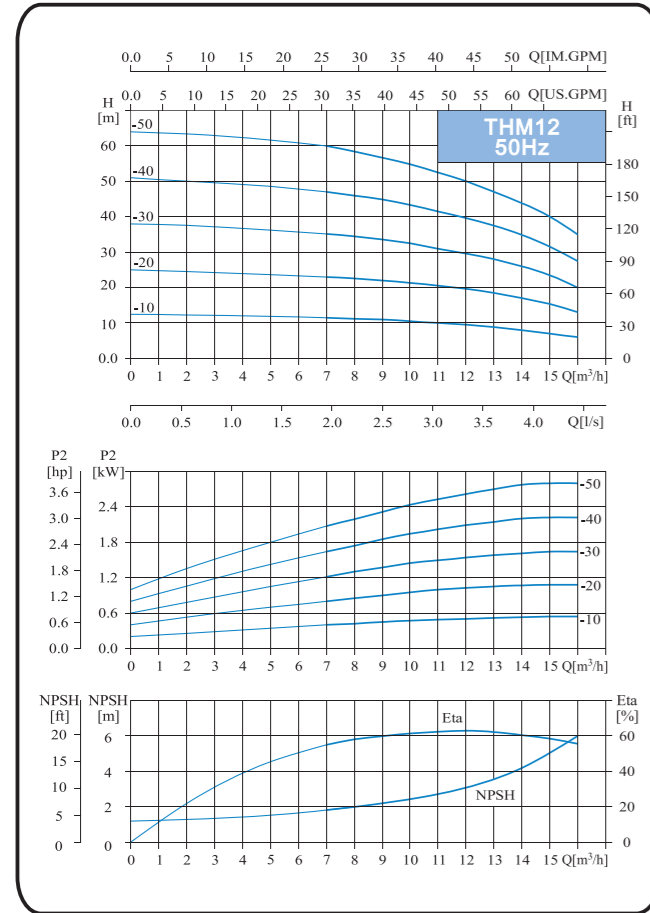
* Three / Single phase

Performance Table

Model	Driving Motor		Q (m³/h)	5	6	7	8	9	10	11
	(kW)	(hp)								
THM8-10	0.75	1	H (m)	10	9.5	9.3	9	8	7.5	7
THM8-20	0.75	1		20	19.5	19	18	17	15.5	14
THM8-30	1.1	1.5		29.5	29	28	27	25	23	21
THM8-40	1.5	2		39	38	37	35	33	30.5	27.5
THM8-50	2.2	3		51	49.5	47.5	45	42.5	39.5	36

Technical Data (50Hz)

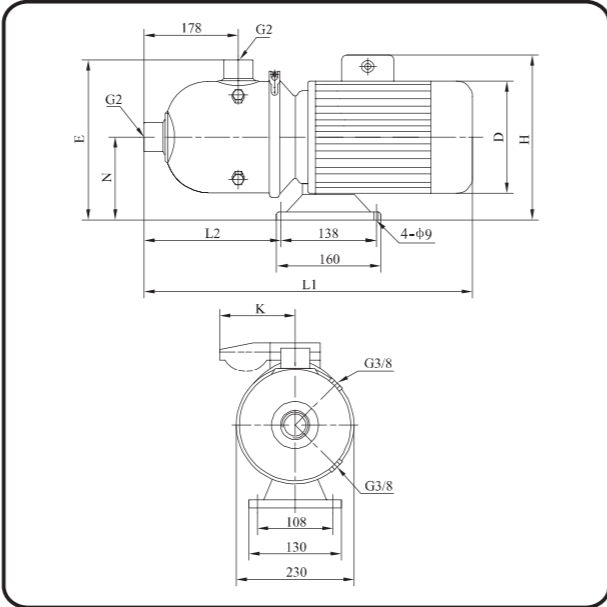
Performance Curve



ISO9906 Annex A

THM 12

Dimensions



Size and Weight

Model	Size(mm)							Weight (kg)
	L1	L2	H*	D	E	N	K*	
THM12-10	560	280	230 / 265	170	268	118	- / 100	20
THM12-20	560	280	230 / 265	170	268	118	- / 100	21
THM12-30	580	280	240 / 270	180	268	118	- / 100	25
THM12-40	580	280	240 / 270	180	268	118	- / 100	29
THM12-50	610	270	270 / -	195	276	126	- / -	34

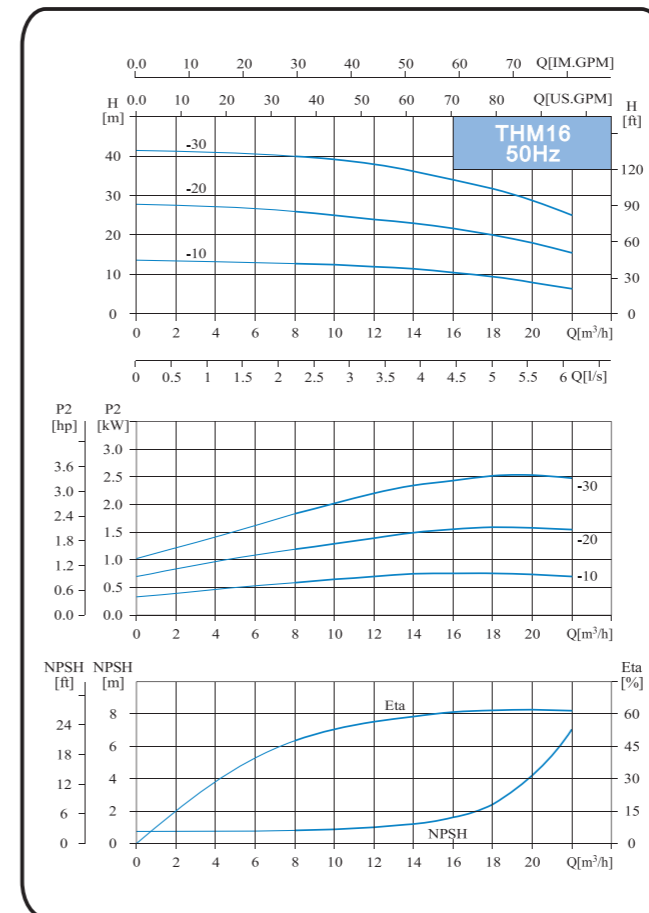
* Three / Single phase

Performance Table

Model	Driving Motor		Q (m³/h)	H (m)											
	(kW)	(hp)		7	8	9	10	11	12	13	14	15	16		
THM12-10	0.75	1	H (m)	11.5	11.2	11	10.5	10	9.5	9	8	7	6		
THM12-20	1.2	1.6		23	22.5	22	21.5	20.5	19.5	18.5	17	15.5	13		
THM12-30	1.8	2.4		35	34.5	33.5	32.5	31	29.5	28	26	23.5	20		
THM12-40	2.4	3.3		47	46	45	43.5	41.5	39.5	37.5	35	31.5	27.5		
THM12-50	3	4		60	58	56.5	55	52.5	50	47	44	40	35		

Technical Data (50Hz)

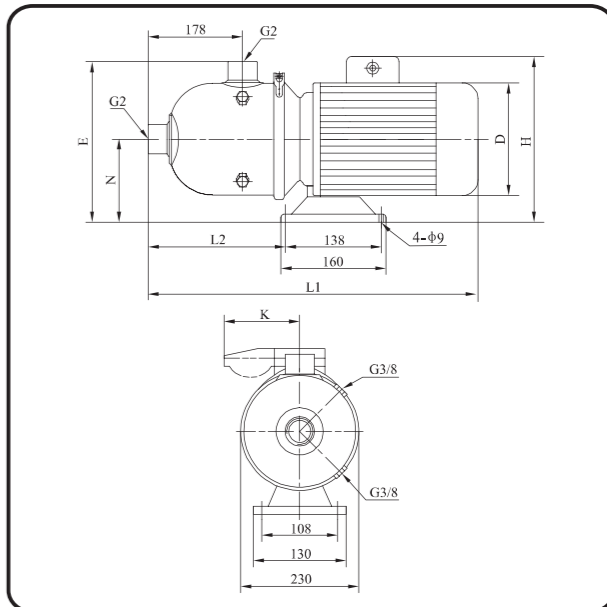
Performance Curve



ISO9906 Annex A

THM 16

Dimensions



Size and Weight

Model	Size(mm)							Weight (kg)
	L1	L2	H*	D	E	N	K*	
THM16-10	560	280	230 / 265	170	268	118	- / 100	20
THM16-20	580	280	240 / 270	180	268	118	- / 100	27
THM16-30	610	270	270	195	276	126	- / -	34

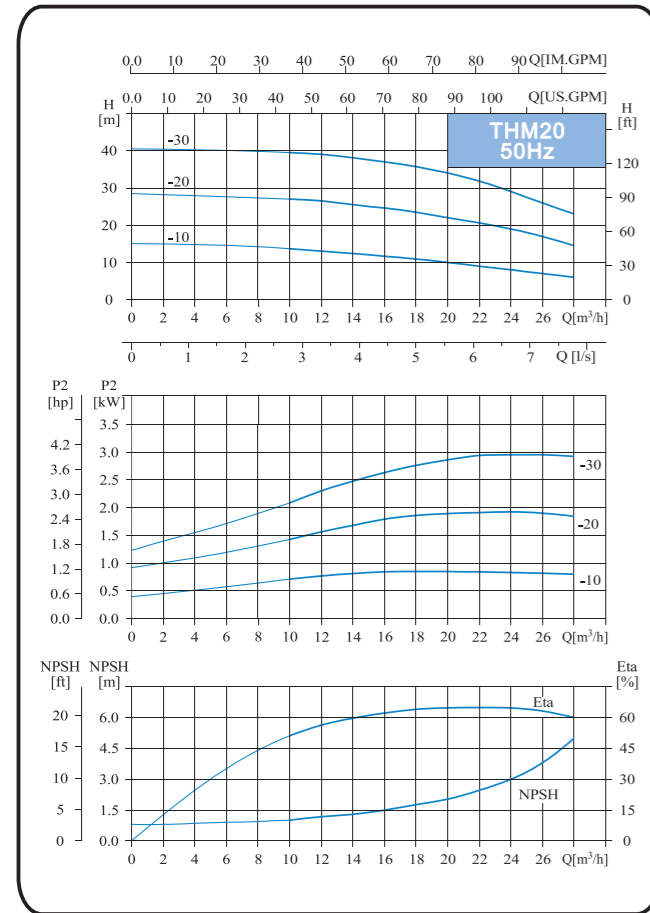
* Three / Single phase

Performance Table

Model	Driving Motor		Q (m³/h)	H (m)									
	(kW)	(hp)		8	10	12	14	16	18	20	22		
THM16-10	1.1	1.5	H (m)	12.8	12.5	12	11.5	10.5	9.5	8	7		
THM16-20	2.2	3		26	25	24	23	21.7	20	18	15.5		
THM16-30	3	4		40	39	38	36	34	31.5	29	25		

Technical Data (50Hz)

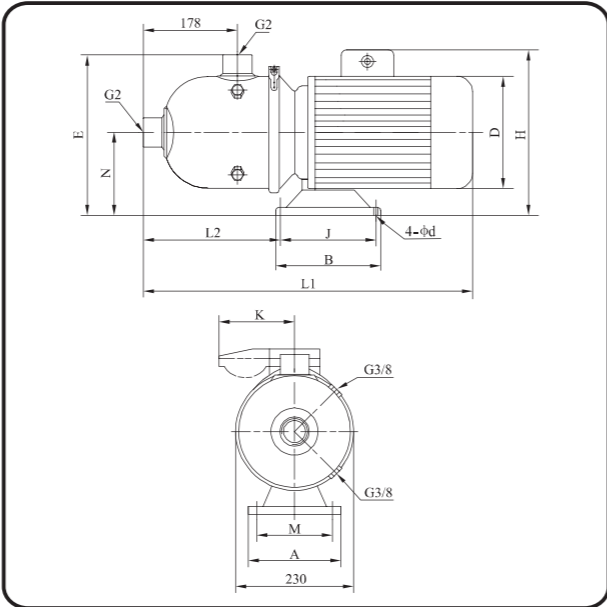
Performance Curve



ISO9906 Annex A



Dimensions



Size and Weight

Model	Size(mm)												Weight (kg)
	L1	L2	H*	D	E	N	A	M	B	J	d	K*	
THM20-10	560	280	230 / 265	170	268	118	130	108	160	138	9	- / 100	21
THM20-20	580	280	240 / 270	180	268	118	130	108	160	138	9	- / 100	28
THM20-30	650	360	270 / -	220	270	120	230	190	170	140	12	- / -	42

* Three / Single phase

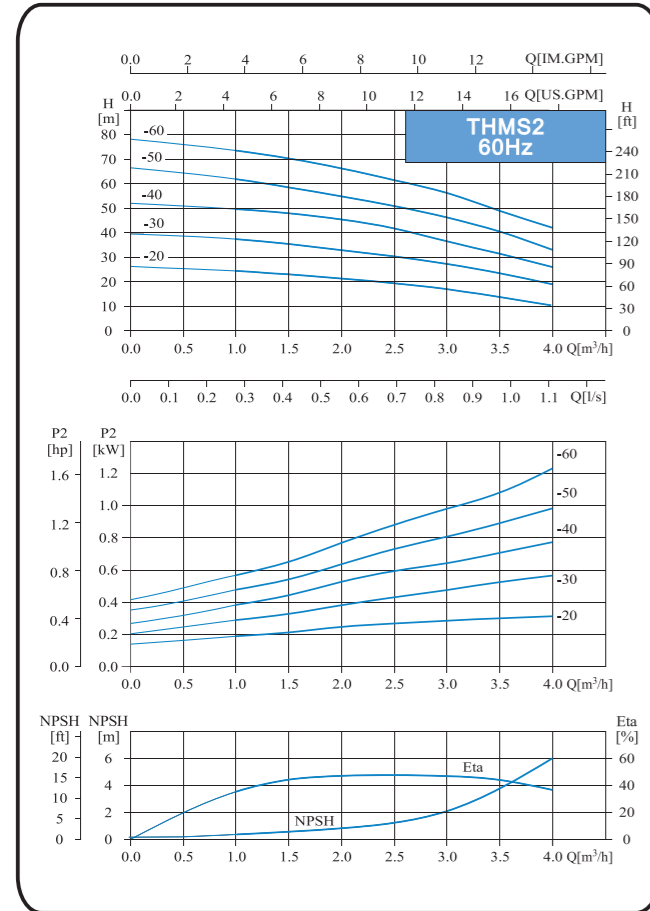
Performance Table

Model	Driving Motor		Q (m³/h)	H (m)											
	(kW)	(hp)		10	12	14	16	18	20	22	24	26	28		
THM20-10	1.1	1.5	H (m)	13.5	13	12.5	12	11	10	9	8	7	6		
THM20-20	2.2	3		27	26.5	25.5	25	23.5	22	20.5	18.5	17	14.5		
THM20-30	4	5.5		39.5	39	38	37.5	35.5	34	31.5	29	26	23		

Blank area for notes or calculations.

Technical Data (60Hz)

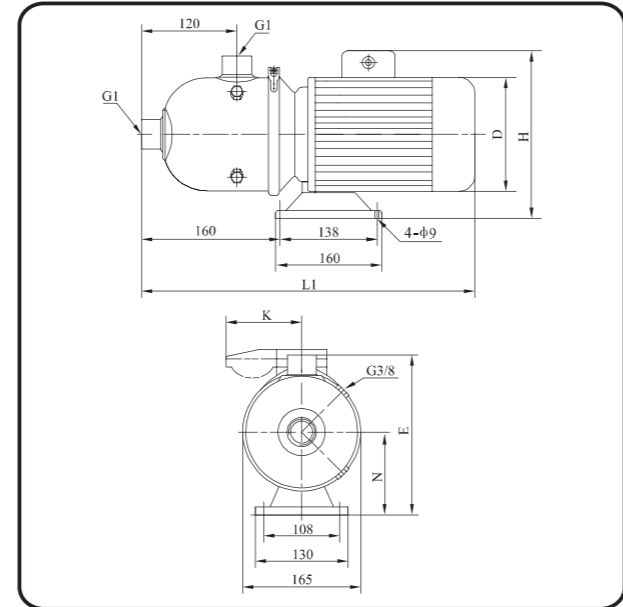
Performance Curve



ISO9906 Annex A

THMS 2

Dimensions



Size and Weight

Model	Size (mm)						Weight (kg)
	L1	H*	D	E	N	K*	
THMS2-20	400	215 / 230	145	210	110	- / 96	13
THMS2-30	420	220 / 245	160	210	110	- / 100	13
THMS2-40	420	230 / 245	170	210	110	- / 100	15
THMS2-50	420	230 / 245	170	210	110	- / 100	15
THMS2-60	470	240 / 260	170	218	118	- / 100	20

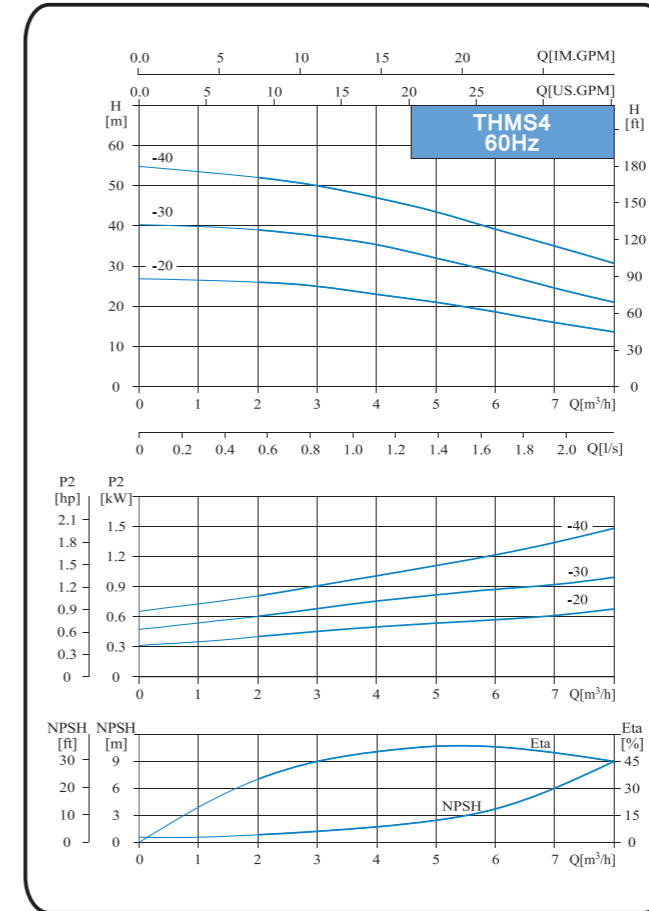
* Three / Single phase

Performance Table

Model	Driving Motor		Q (m³/h)	H (m)						
	(kW)	(hp)		1	1.5	2	2.5	3	3.5	4
THMS2-20	0.55	0.75	H (m)	24.5	23	21.5	19.5	17	14	10.5
THMS2-30	0.75	1		37.5	35.5	33	30.5	27.5	23.5	19
THMS2-40	1.1	1.5		49.5	48	45.5	42	36	32	26
THMS2-50	1.1	1.5		62	58.5	55	51	46	40.5	33
THMS2-60	1.5	2		73.5	70.5	66	61.5	56	49	40

Technical Data (60Hz)

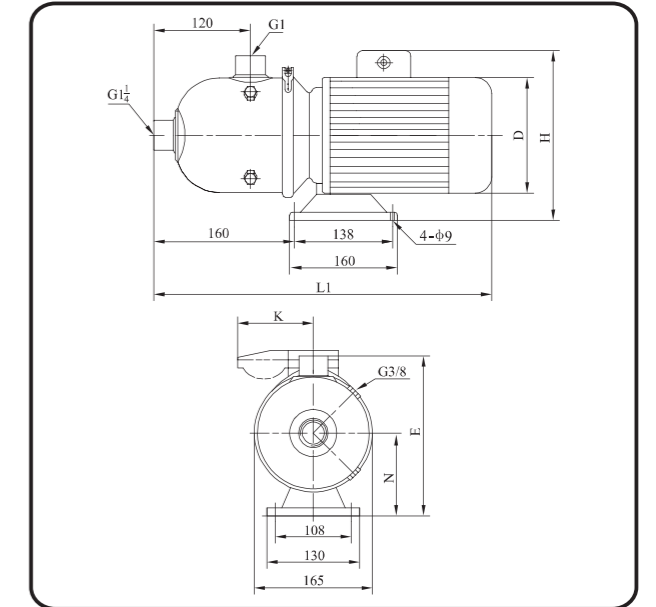
Performance Curve



ISO9906 Annex A

THMS 4

Dimensions



Size and Weight

Model	Size (mm)						Weight (kg)
	L1	H*	D	E	N	K*	
THMS4-20	420	230 / 245	160	210	110	- / 100	12
THMS4-30	420	230 / 245	170	210	110	- / 100	15
THMS4-40	470	240 / 260	170	228	118	- / 100	20

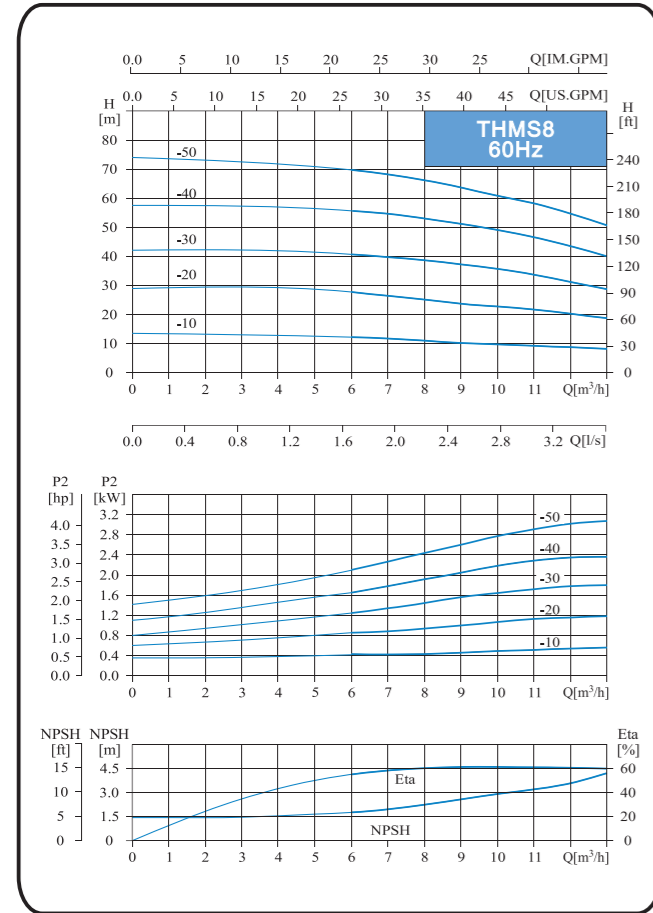
* Three / Single phase

Performance Table

Model	Driving Motor		Q (m³/h)	H (m)							
	(kW)	(hp)		2	3	4	5	6	7	8	
THMS4-20	0.75	1	H (m)	26	25	23	21	19	16	14	
THMS4-30	1.1	1.5		39	37.5	36	32	28	24	21	
THMS4-40	1.5	2		52	50	47	43.5	38.5	35	31	

Technical Data (60Hz)

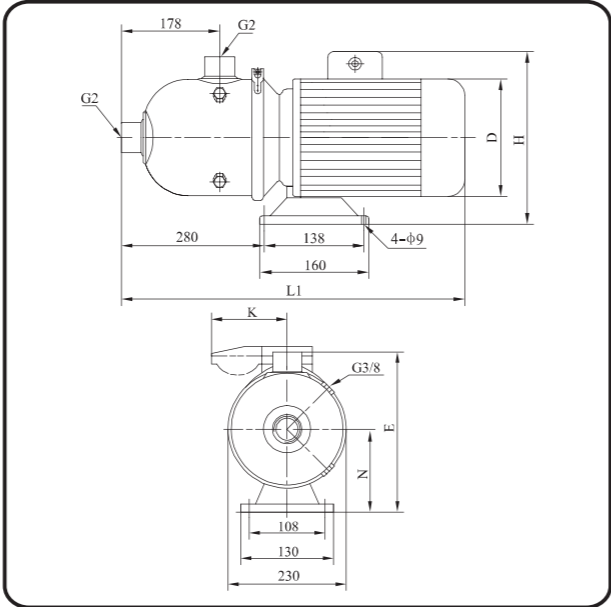
Performance Curve



ISO9906 Annex A

THMS 8

Dimensions



Size and Weight

Model	Size (mm)						Weight (kg)
	L1	H*	D	E	N	K*	
THMS8-10	560	230 / 265	160	263	117	- / 100	20
THMS8-20	580	230 / 270	170	264	118	- / 100	25
THMS8-30	580	230 / 270	180	264	118	- / 100	25
THMS8-40	610	270 / -	195	274	128	- / -	30
THMS8-50	610	270 / -	195	274	128	- / -	30

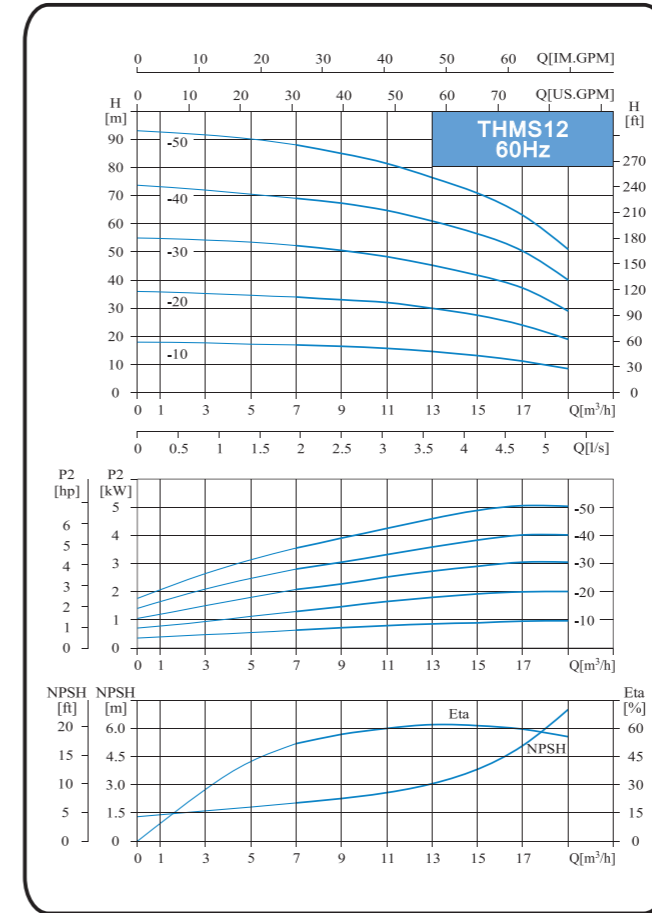
* Three / Single phase

Performance Table

Model	Driving Motor		Q (m³/h)	H (m)							
	(kW)	(hp)		6	7	8	9	10	11	12	13
THMS8-10	0.75	1	H (m)	14.5	13	12	11.5	11	10.5	10	9.5
THMS8-20	1.5	2		29	27	26	25	24	23	21.5	20
THMS8-30	2.2	3		42	41	40	39	37	35	33	30
THMS8-40	3	4		55.5	54.5	53	51	49	46.5	43.5	40
THMS8-50	3	4		71	69.5	67.5	65	63	59	56	52

Technical Data (60Hz)

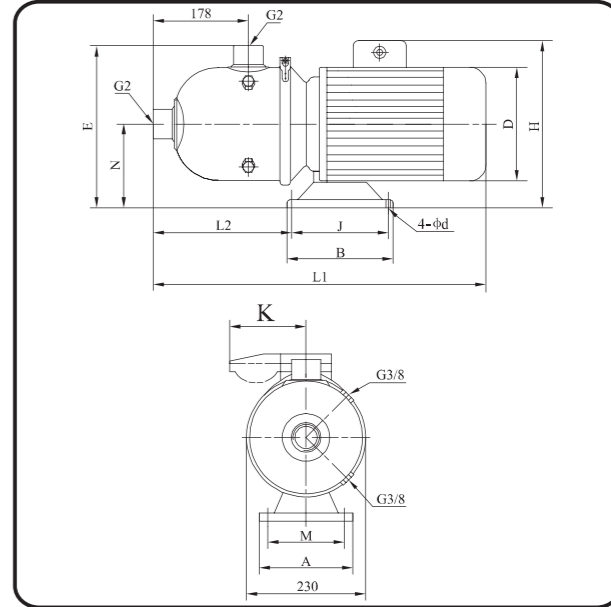
Performance Curve



ISO9906 Annex A

THMS 12

Dimensions



Size and Weight

Model	Size (mm)											Weight (kg)	
	L1	L2	H*	D	E	N	A	M	B	J	d		K*
THMS12-10	560	280	230 / 265	180	268	118	130	108	160	138	9	- / 100	22
THMS12-20	580	280	240 / 270	180	268	118	130	108	160	138	9	- / 100	25
THMS12-30	610	270	270 / -	195	276	126	130	108	160	138	9	- / -	32
THMS12-40	650	360	270 / -	220	270	120	230	190	170	140	12	- / -	44
THMS12-50	670	375	305 / -	255	282	132	260	216	190	140	12	- / -	58

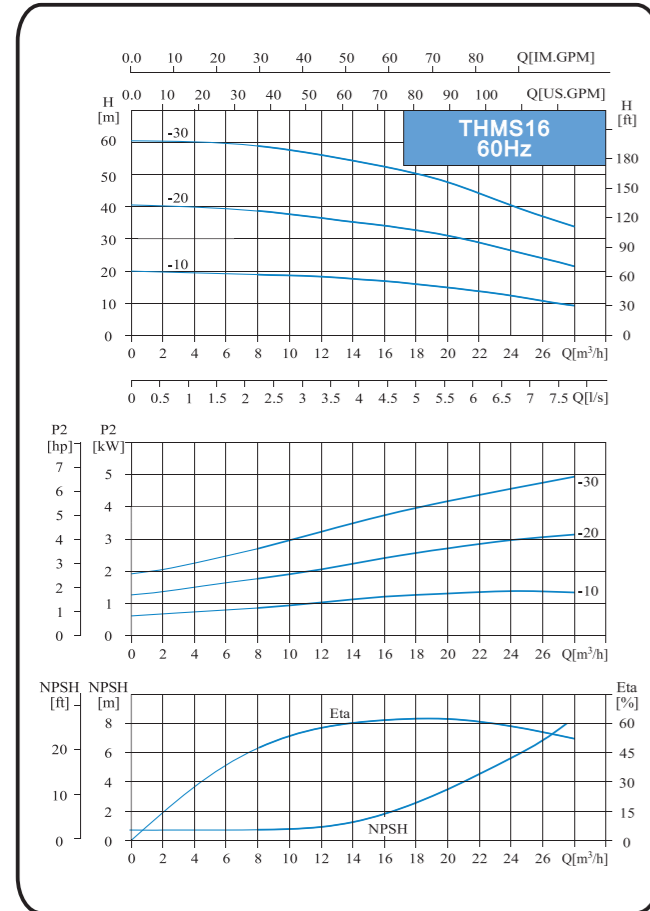
* Three / Single phase

Performance Table

Model	Driving Motor		Q (m³/h)	H (m)							
	(kW)	(hp)		7	9	11	12	13	15	17	19
THMS12-10	1.1	1.5	H (m)	17	16	15	14.5	14	12.5	11	8.5
THMS12-20	2.2	3		34	33	32	31	30	27	24.5	19
THMS12-30	3	4		52.5	50	48.5	47	45	41.5	37.5	29
THMS12-40	4	5.5		69	67.5	65	63	60.5	55	49.5	40
THMS12-50	5.5	7.5		88	85	82	80	76	70	62	50.5

Technical Data (60Hz)

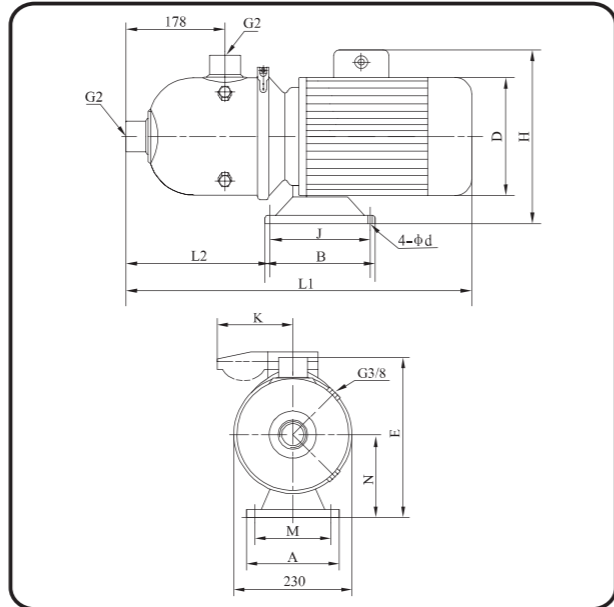
Performance Curve



ISO9906 Annex A

THMS 16

Dimensions



Size and Weight

Model	Size(mm)											Weight (kg)	
	L1	L2	H*	D	E	N	A	M	B	J	d		K*
THMS16-10	580	280	230 / 270	180	264	118	130	180	160	138	9	- / 100	25
THMS16-20	650	360	270 / -	220	270	120	230	190	170	140	12	- / -	43
THMS16-30	670	375	305 / -	255	281	132	260	216	190	140	12	- / -	50

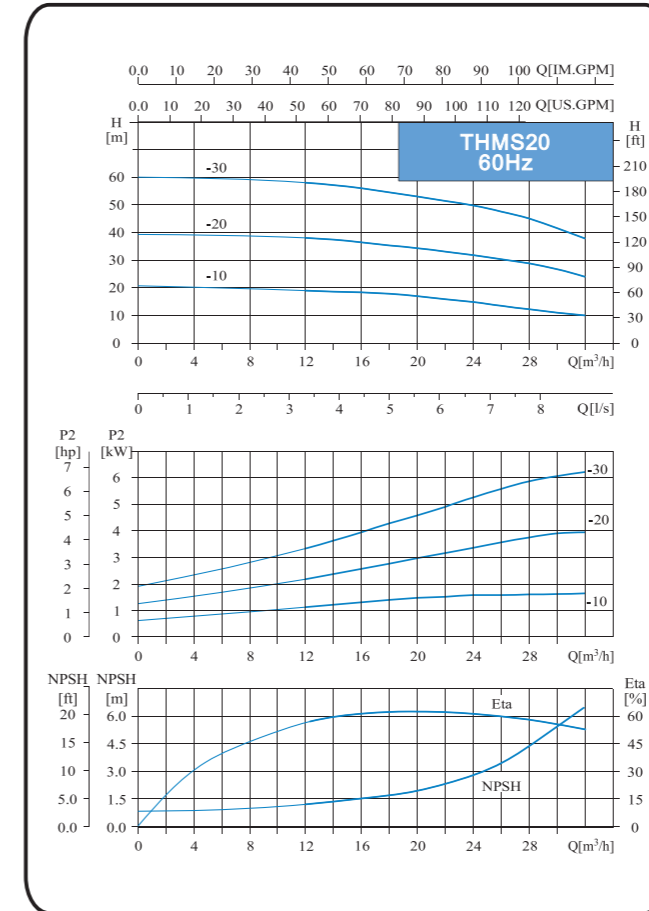
* Three / Single phase

Performance Table

Model	Driving Motor		Q (m ³ /h)	8	12	16	20	24	28
	(kW)	(hp)							
THMS16-10	2.2	3	H (m)	19	18	17	15	12	9
THMS16-20	4	5.5		38.5	36.5	34	31	26	21.5
THMS16-30	5.5	7.5		59	56	53.5	47.5	40.3	33.5

Technical Data (60Hz)

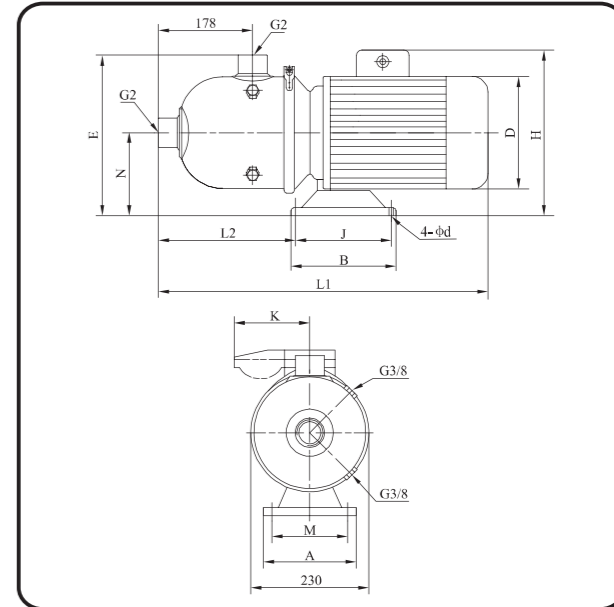
Performance Curve



ISO9906 Annex A

THMS 20

Dimensions



Size and Weight

Model	Size(mm)											Weight (kg)	
	L1	L2	H*	D	E	N	A	M	B	J	d		K*
THMS20-10	580	280	240 / 270	180	268	118	130	108	160	138	9	- / 100	26
THMS20-20	650	360	270 / -	220	270	120	230	190	170	140	12	- / -	43
THMS20-30	670	375	305 / -	255	282	132	260	216	190	140	12	- / -	56

* Three / Single phase

Performance Table

Model	Driving Motor		Q (m ³ /h)	12	14	16	18	20	22	24	26	28	30	32
	(kW)	(hp)												
THMS20-10	2.2	3	H (m)	19	18.5	18	17.5	17	16	15	13.5	12	11	10
THMS20-20	4	5.5		38	37	36	35	34	33	32	30.5	29	26.5	24
THMS20-30	5.5	7.5		58	57	56	55	53	51.4	50	47.5	45	41.6	38



Product images and specifications may differ from actual products due to improvements. The OO series and model OO are indicated with our series/model codes in this catalog.

**TSURUMI
MANUFACTURING CO., LTD.**

Your Dealer



SUPERPUMP
w a t e r p u m p s
www.superpump.co.za

The Superpump logo consists of a stylized blue and white graphic of a water droplet or wave. The text "SUPERPUMP" is in a bold, black, sans-serif font, with "w a t e r p u m p s" in a smaller, blue, lowercase, sans-serif font below it. The website address "www.superpump.co.za" is in a grey, lowercase, sans-serif font at the bottom.